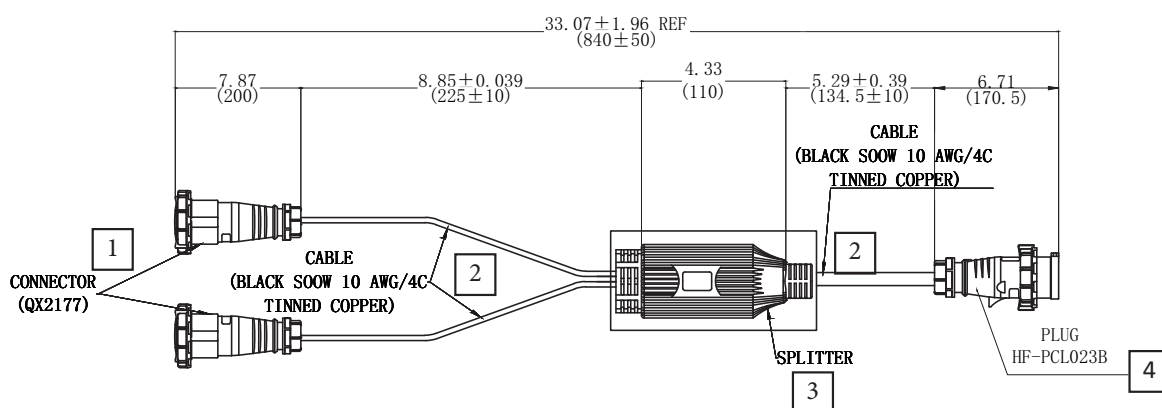


HF Y-SPLITTER

ITEM NO: HF Y-SPLITTERV1

Construction:

1. Connector: CE 32A 3H 3P+E 440VAC
2. Cable
3. Splitter
4. Plug: CE 32A 3H/6H 3P+E 440VAC



Properties:	
Test Voltage:	2.5 KV for 5 min
Rated Voltage:	600V
Rated Current:	32A
Max. conductor temp.:	90°C
Short circuit temp.:	200°C
Pulling strength:	600N
IP Rate:	IP 67

Cable specs:	
Model:	SOOW UL Certified
Conductor:	10AWG/4C tinned copper
Material:	Soft-annealed copper
Outer diameter:	18.8 ± 0.4
Min. bending radius:	10D
Max. jacket temp.:	90°C
Material:	CPE
Colour:	Black
Conductor colour code:	Red, Black, Brown, Yellow/Green